

Amazing Water

Purifying
Moving
Designing
Vitalising
Lighting
Laying



Programme and technical specifications



N

Moving water

Every water project depends on circulation, without a pump everything simply stands still.

AquaFlow pumps function either submerged or installed in a dry location. This special feature is a part of what makes our programme so unique.

Moving water

AquaFlow In-Line booster pumps, series B

The B series is fully enclosed and can be installed either underwater or in a dry pump chamber. The high-efficiency pump is equipped with an upgraded motor designed for variable operating conditions, maintenance-free operation and a long service life.

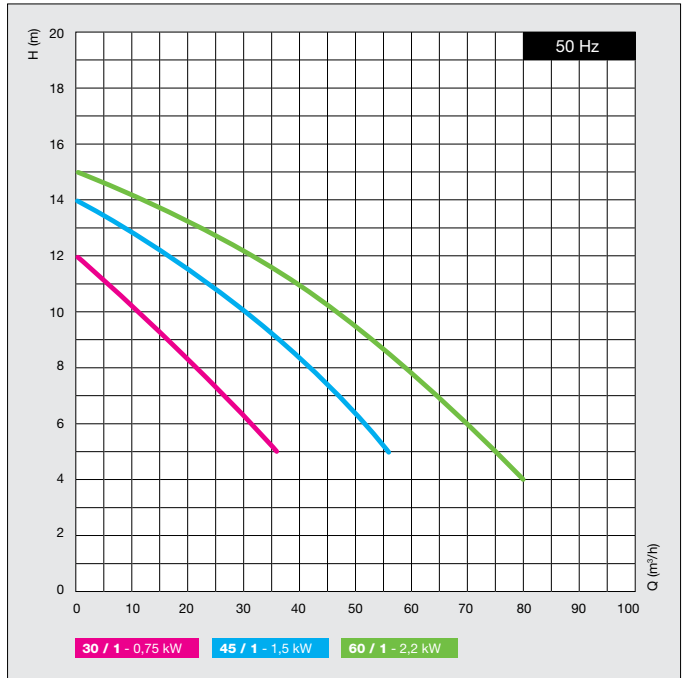
Type	P2 motor kW	Q max m ³ / h*	H max m	Connections in / out	In (A)		Article number	
					230 V	400 V	230 V	400 V
30 / 1B	0.75	30	13	3" x 90 mm	7.6	2.1	105001	105004
45 / 1B	1.50	45	13	3" x 90 mm	10.2	4	105002	105005
60 / 1B	2.20	60	15	3" x 90 mm	14	5.9	105003	105006

- Housing entirely manufactured from stainless steel 304.
- High capacity.
- Dry and wet installation possible.
- Industrial quality, high-efficiency pump.
- 20 metre power cord.
- Can be installed horizontally or vertically.

230 V 1 Ph with starter control box and motor protection.
400 V 3 Ph with motor protection circuit breaker.

*) Optimum pump operating point.

In-Line booster pump, series B



AquaFlow In-Line booster pumps, series WB

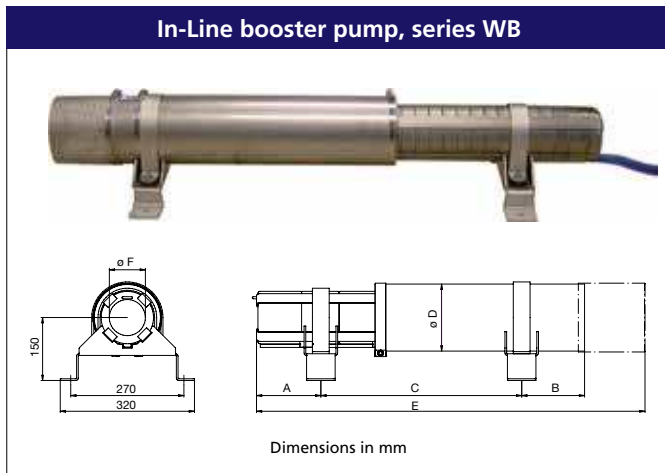
The WB series are for underwater installation and are equipped with a suction strainer. All other technical features of these integrated pumps are as for the series B. These pumps are intended for larger fountain installations, filter systems and other large-scale water projects.

Type	P2 motor kW	Q max m ³ / h*	H max m	Connections out intr	In (A)	
					230 V	400 V
30 / 1 WB	0.75	30	13	3"	7.6	2.1
30 / 2 WB	1.50	30	24	3"	10.2	4
30 / 3 WB	2.20	30	35	3"	14	5.9
45 / 1 WB	1.50	45	13	3"	10.2	4
45 / 2 WB	3.00	45	25	3"	-	7.8
60 / 1 WB	2.20	60	15	4"	14	5.9
60 / 2 WB	5.50	60	30	4"	-	12.5
60 / 3 WB	7.50	60	45	4"	-	16
80 / 1 WB	4.00	80	20	5"	-	9.3
80 / 2 WB	7.50	80	40	5"	-	16

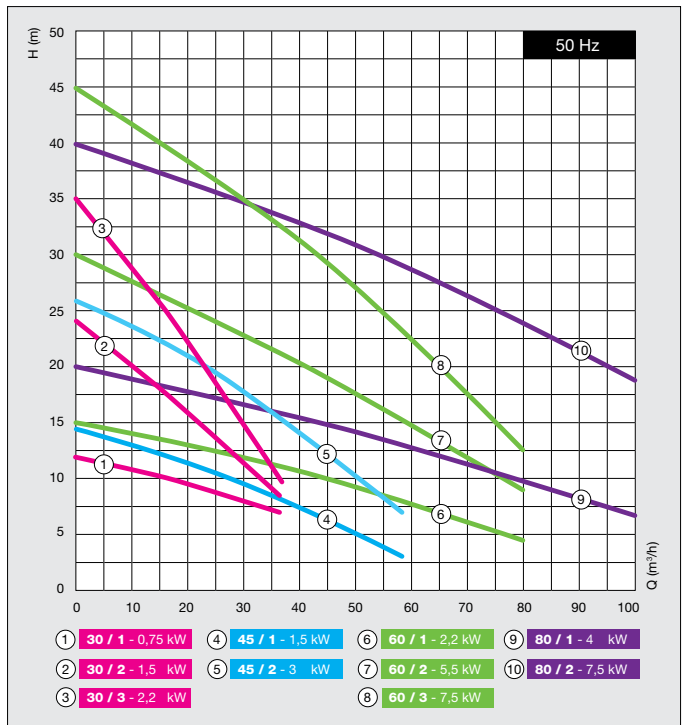
- For underwater use only.
- High capacity and discharge head.
- Housing entirely manufactured from stainless steel 304.
- Industrial quality, high-efficiency pump.
- 20 metre power cord.
- Incl. pump strainer.

230 V 1 Ph with starter control box and motor protection.
 400 V 3 Ph with motor protection circuit breaker.
 Control panels and speed controllers available upon request.
 intr: internal thread connection.

*) Optimum pump operating point.



Type	A	B	C	D	E	F
30 / 1 WB	150	150	300	160	780	3" intr
30 / 2 WB	150	150	440	160	930	3" intr
30 / 3 WB	150	150	650	160	1130	3" intr
45 / 1 WB	250	150	300	200	880	3" intr
45 / 2 WB	250	150	600	200	1180	3" intr
60 / 1 WB	250	150	440	200	1020	4" intr
60 / 2 WB	250	150	740	200	1320	4" intr
60 / 3 WB	250	150	650	200	1480	4" intr
80 / 1 WB	400	250	580	225	1400	5" intr
80 / 2 WB	400	250	640	225	1470	5" intr



Moving water

AquaFlow circulation pumps, series AF

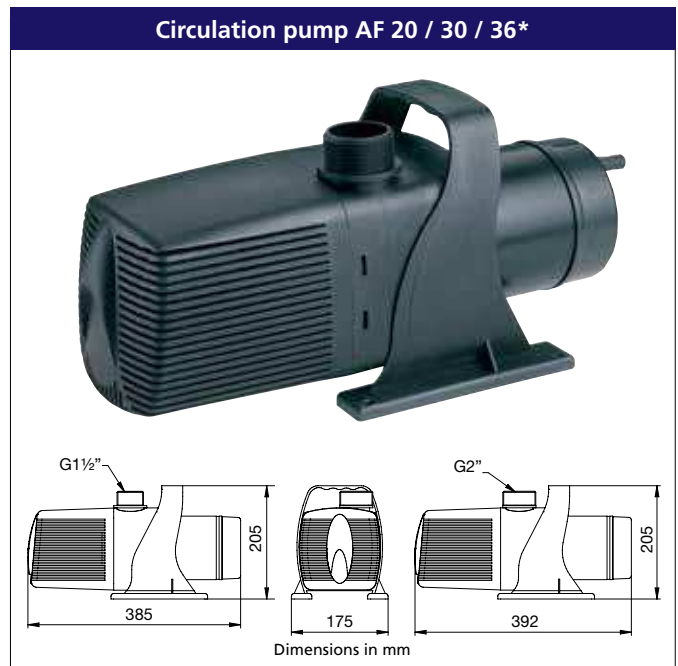
For smaller water projects, AF pumps are ideal. With the strainer fitted these pumps are suitable for submerged use, with the strainer removed they can be installed in a dry chamber provided that they are installed below the water level. Recommended for filter systems, waterfalls and pond fountains.

Type	Motor Watt	Q max m ³ / h	H max m	Connections in / out extr	Voltage Volt / Hz	Motor cable length (m)	Article number
AF 6	75	6.1	3.2	1¼"	230 / 50	10	102015
AF 9	130	9.3	4	1¼"	230 / 50	10	102016
AF 12	170	12.4	4.7	1½"	230 / 50	10	102017
AF 16	200	15.5	5.5	1½"	230 / 50	10	102018
AF 20	400	20	9	1½"	230 / 50	20	102021
AF 30	500	30	9	2"	230 / 50	20	102019
AF 36	700	35	11	2"	230 / 50	20	102020

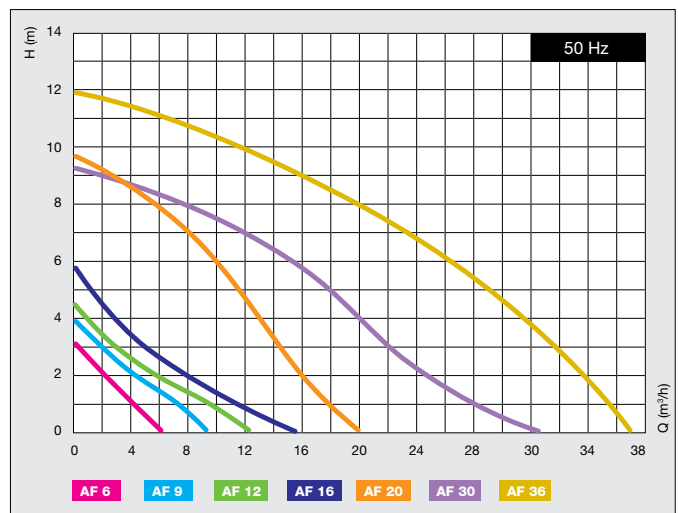
- Pumps with split tube motor.
- Plastic housing.
- Integrated thermal overload protection (clixon).
- Removable pump strainer.
- Dry installation possible under the water level.
- AF 6 / 9 / 12 / 16 with baseplate for dry installation and speed controller for capacity regulation.



*) With baseplate for dry installation and speed controller for capacity regulation.



*) Suitable for dry installation by removing pump strainer.



Moving water



AUGA 2013

Auga has a policy of continuous development and reserves the right to make technical changes without notice.

Full or partial reproduction of this publication in whatever shape or form whatsoever is prohibited without prior written consent from Auga.

E&OE.

AUGA is a registered trade name of Messner Benelux B.V.

Made in  Holland

Winkelskamp 13
7255 PZ Hengelo Gelderland
The Netherlands
Fax +31 (0) 575 46 80 20
Fax +31 (0) 575 46 12 44
info@auga.nl
www.auga.nl

AUGA
Amazing Water